

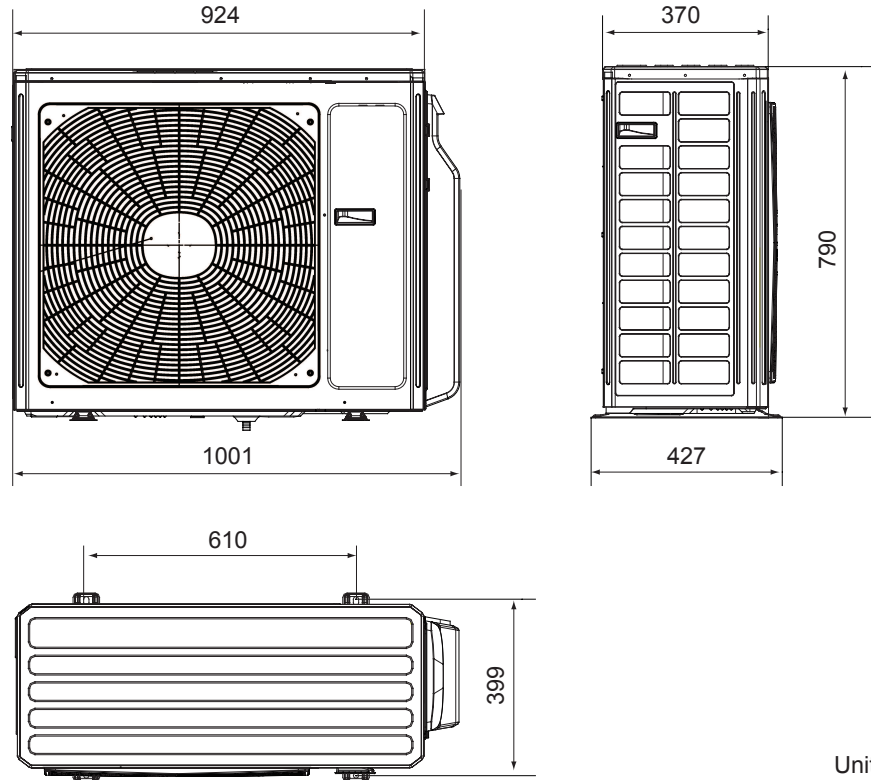
Model			SMH(24)E32DMO	
Product Code			CB228W08720	
Power supply	Rated Voltage	V~	220-240	
	Rated Frequency	Hz	50	
	Phases		1	
Cooling capacity		W	7100	
Heating capacity		W	8500	
Cooling Power Input		W	1950	
Heating Power Input		W	2200	
Cooling Current Input		A	8.65	
Heating Current Input		A	9.76	
Rated Power Input		W	2870	
Rated Current		A	12.7	
SEER		W/W	3.64	
SCOP		W/W	3.86	
Outdoor Unit	Compressor Trademark		ZHUHAI LANDA COMPRESSOR CO.,LTD	
	Compressor Model		QXFS-D23zX090D	
	Compressor Refrigerant Oil Type		FW68DA	
	Compressor Type		Inverter Rotary	
	L.R.A		A	25
	Compressor Rated Load Amp (RLA)		A	16
	Compressor Power Input		W	2400
	Compressor Thermal Protector		1NT11L-6233 / KSD115°C / HPC115/95U1	
	Throttling Method		Electron expansion valve	
	Cooling Operation Ambient Temperature Range		°C	18~43
	Heating Operation Ambient Temperature Range		°C	-15~24
	Condenser Material		Aluminum Fin-copper Tube	
	Condenser Pipe Diameter		mm	Φ7
	Rows-Fin Gap(mm)		mm	19.05X22
	Coil length (l) X height (H) X coil width (L)		mm	982.2X748X38.1
	Fan Motor Speed (rpm) (H/M/L)		rpm	800
	Output of Fan Motor		W	90
	Fan Motor RLA		A	0.49
	Fan Motor Capacitor		μF	/
	Air Flow Volume of Outdoor Unit		m ³ /h	800
	Fan Type-Piece		DC motor	
	Fan Diameter		mm	Φ550-120
	Defrosting Method		Automatic Defrosting	
	Climate Type		T1	
	Isolation		I	
	Moisture Protection		IPX4	
	Permissible Excessive Operating Pressure for the Discharge Side		MPa	4.3
	Permissible Excessive Operating Pressure for the Suction Side		MPa	2.5
	Dimension (WXHXD)		mm	1001X427X790
	Dimension of Package (LXWXH)		mm	1080X485X840
Dimension of Package(LXWXH)		mm	1083X488X855	
Net Weight		kg	68	
Gross Weight		kg	73	
Refrigerant Charge		R32		
Refrigerant Charge		kg	1.8	

Outdoor Unit	Cross-sectional Area of Power Cable Conductor	mm ²	2.5	
	Recommended Power Cable(Core)	N	3	
	Connection Pipe Connection Method		Flare Connection	
	Not Additional Gas Connection Pipe Length	m	30	
	Connection Pipe Gas Additional Charge	g/m	20	
	Outer Diameter of Liquid Pipe(GREE Allocation) (Metric)	mm	Φ6	
	Outer Diameter of Gas Pipe(GREE Allocation) (Metric)	mm	Φ9.52	
	Outer Diameter of Liquid Pipe(GREE Allocation) (Metric)	mm	10	
	Outer Diameter of Gas Pipe(GREE Allocation) (Metric)	mm	20	
	Outer Diameter of Liquid Pipe(GREE Allocation) (Metric)	mm	60	
	Outer Diameter of Gas Pipe(GREE Allocation) (Metric)	mm	Φ9.52	
	Connection Pipe Max. Height Distance(indoor and indoor)	m	10	
	Max. equivalent connection pipe length(outdoor to last indoor)	m	20	
Connection Pipe Max. Length Distance(total length)	m	60		

The above data is subject to change without notice. Please refer to the nameplate of the unit.

3. Outline Dimension Diagram

SMH(24)E32DMO



Unit:mm